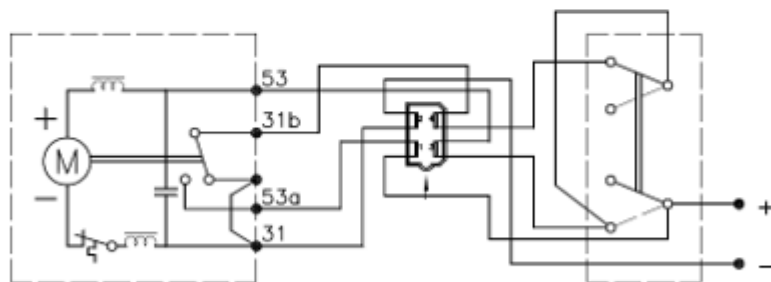


Wiring Diagrams (Junction block front side view)

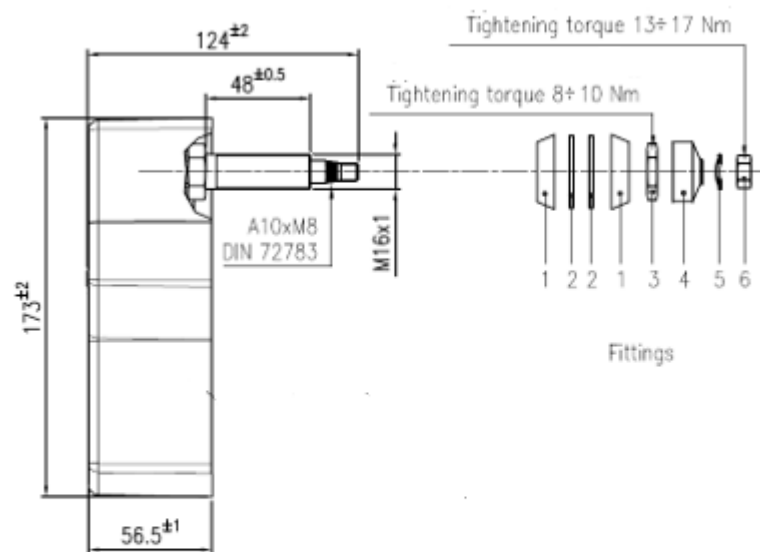


Legenda:

- Pos.3 53 -
- Pos.1 53a-
- Pos.2 31 -
- Pos.4 31b-

Legenda:

- 53 - Blue (First speed)
- 53a- Blue-Black (Positive)
- 31 - Black (Negative)
- 31b- Blue-White (Stop)



Motor performances			
No load working datas			Static torque
Speed	Curr. intensity	Rpm	
n1	≤ 0.8 A	60 ^{h5}	≥14Nm
Test voltage 26 V			